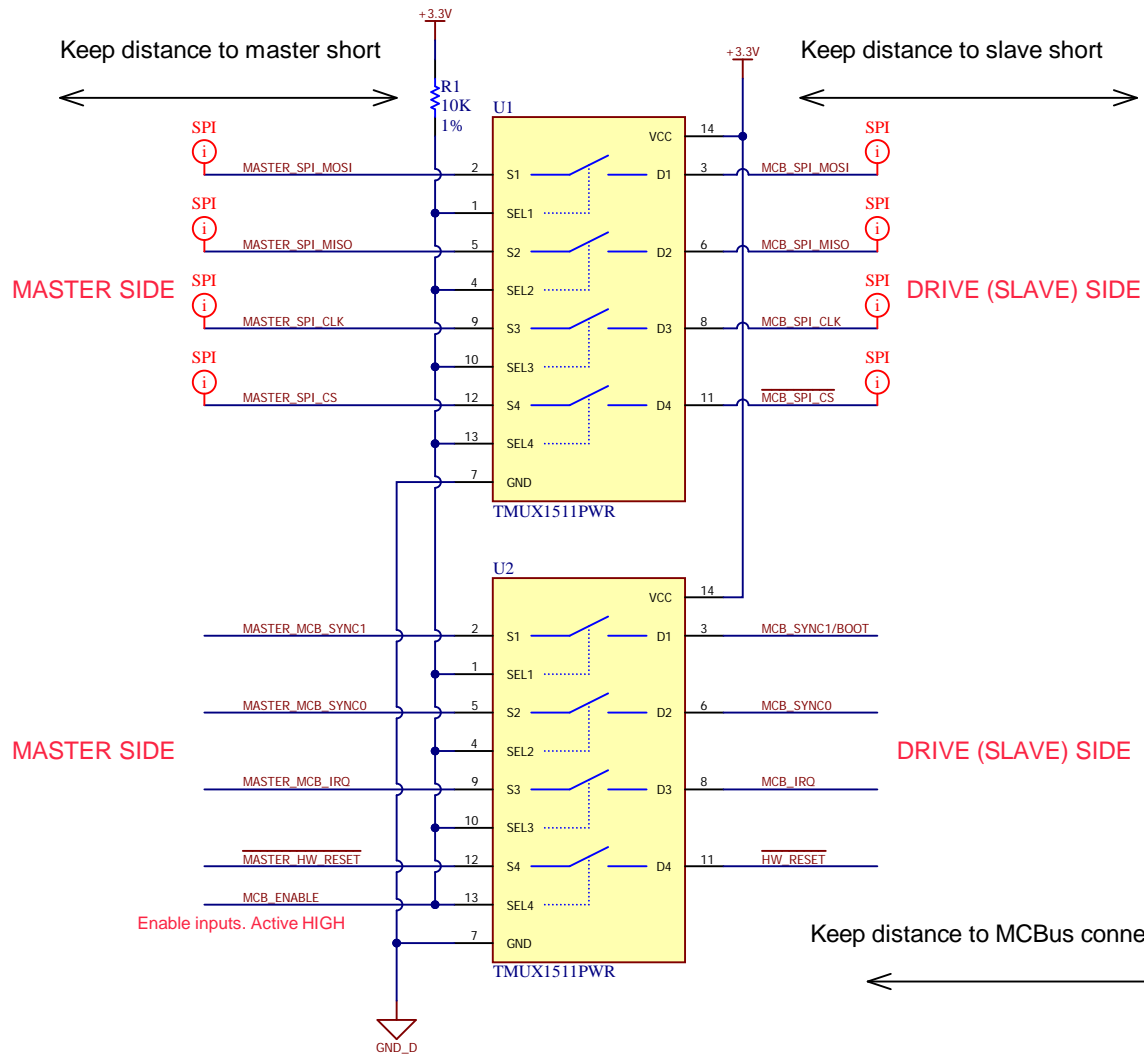


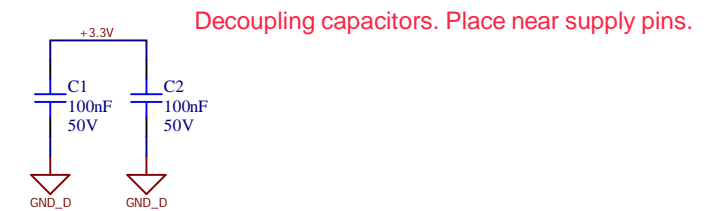
# MCBus switch



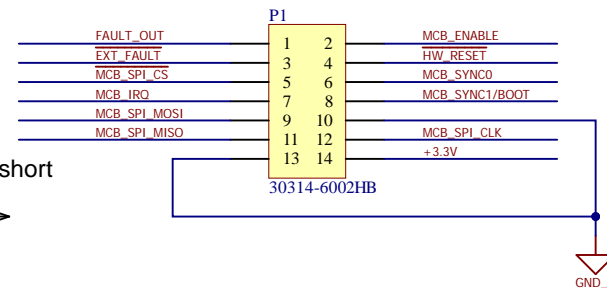
This module functionality is to disconnect the Ingenia Motion Control Bus (MCBus) from the master in order to give control to an external master like the COM-KIT.

Connect the Everest MCB signals along with the MCB\_EN signal to an external MCB interface for an external master. When the external master is connected to the MCB interface, ensure that the MCB\_EN signal is pulled low to GND with a 1 kΩ or lower resistor in order to disconnect the MCB from the master controller and connect it exclusively to the external master.

Ingenia advises to use this circuit in the EVR-CORE and CAP-CORE interface boards to allow connecting the MCBus Commissioning Kit (COM-KIT)



Recommended MCB interface compatible with Commissioning Kit Cable and Board. Use the connector that better fits your application.



Title	M_IUO005_MCB_multiplexer.SchDoc		
Project	*		
Variant	[No Variations]	Documentation	<a href="https://doc.ingeniamc.com/x/SqJOCQ">https://doc.ingeniamc.com/x/SqJOCQ</a>
Revision	4.0	Ingenia Motion Control	
Version	Not in version control Date: 3/2/2021	Barcelona Advanced Industry Park	www.ingeniamc.com
		C/Marie Curie 8-14 08042 Barcelona Spain	